

Teknofanghi

SLUDGE HANDLING EQUIPMENT

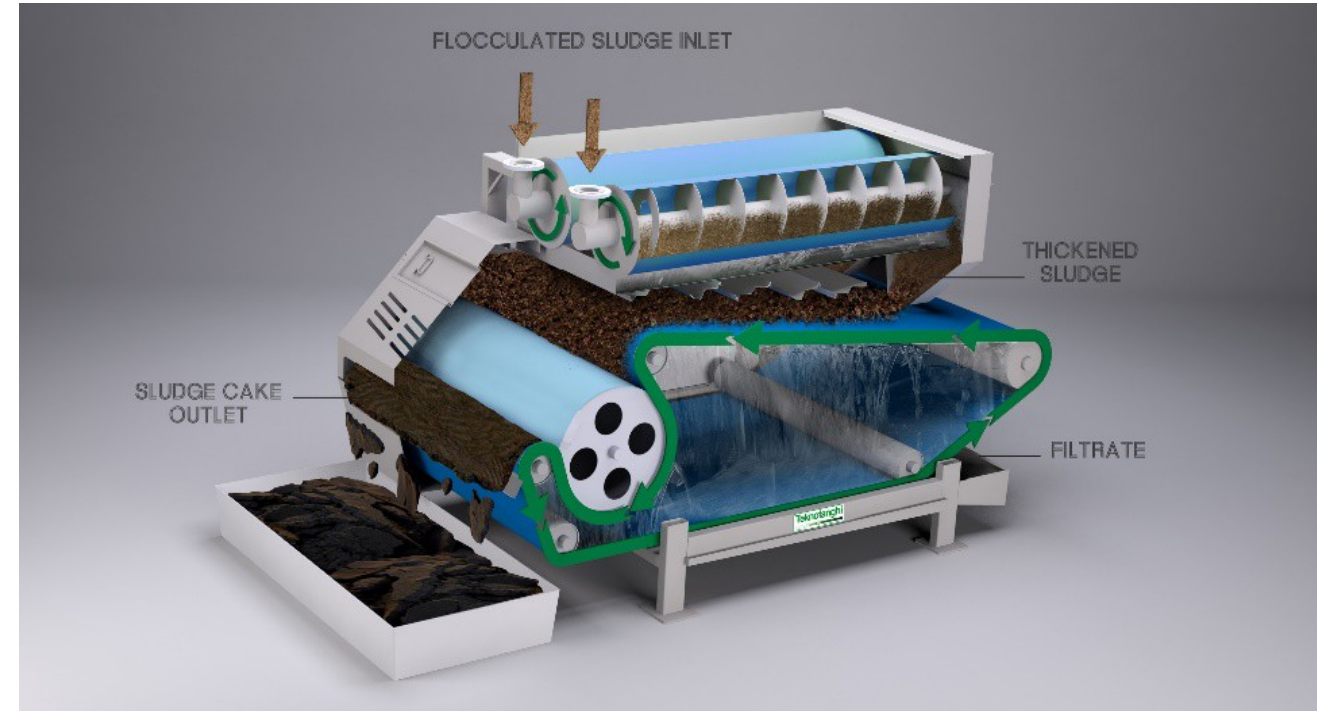
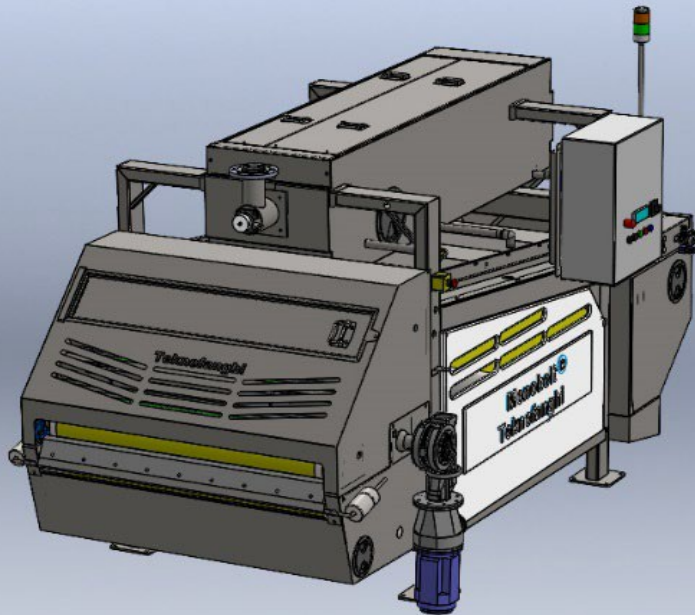
COMPANY PROFILE



Teknofanghi Srl is an Italian company specialized in R&D, manufacturing and sale of sludge handling equipment and systems.

With more than 35 years of activity, and thousands of units installed, Teknofanghi is one of the worldwide leaders in handling of municipal and industrial sludge.





Research & development

TEKNOFANGHI Values



RESEARCH & DEVELOPMENT

We are sensible to the continuous evolution of the market. For this reason we are constantly engaged in the studying, research and development of new equipment and applications.



MADE IN ITALY

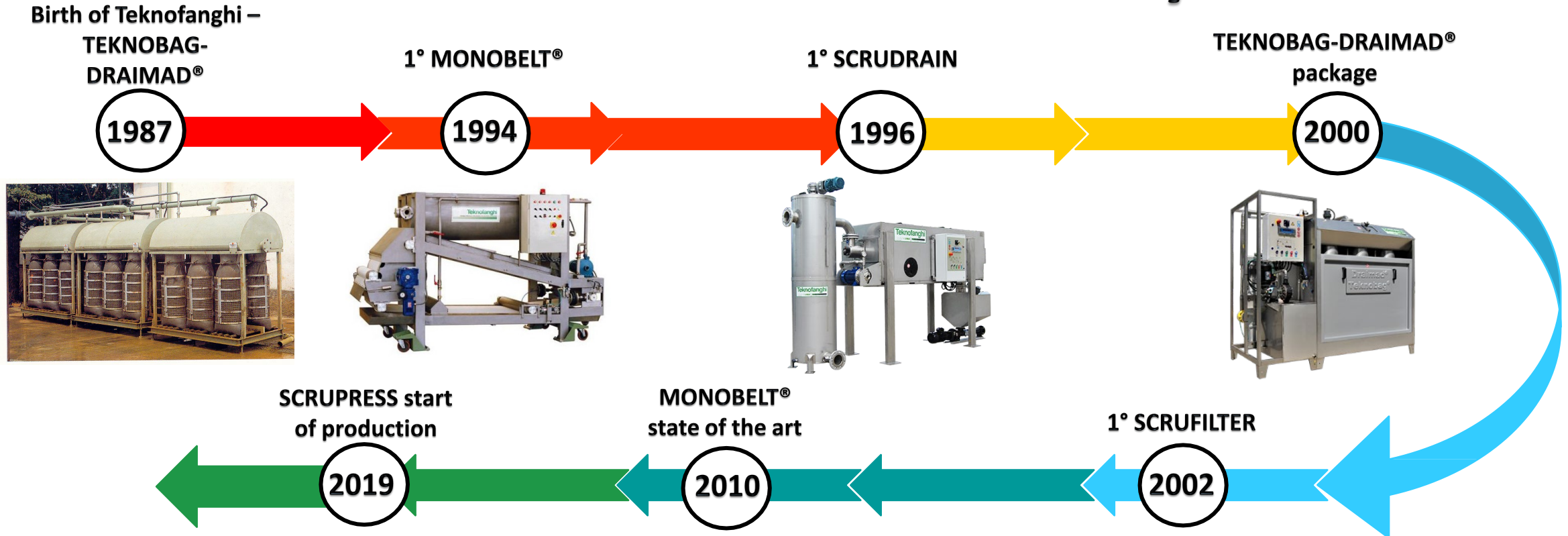
All our products are studied, developed and produced in Italy.



CONTROLLED PROCESS & QUALITY

All our products are CE marked. We are ISO 9001:2015 certified and we also obtained the certifications to export to different Countries(ex: EAC certificate for Russian Federation). We use high quality raw materials and products to guarantee the highest standards to our Customer.

TEKNOFANGHI History



Our Clients



Authorities & Companies we are accredited with





MONOBELT®
Belt filter press



SCRUPRESS®
Screw press



SCRUDRAIN®
Dynamic thickener



TEKNOBAG-DRAIMAD®
Bag dewatering



POLYDILUTION®
Poly preparation unit



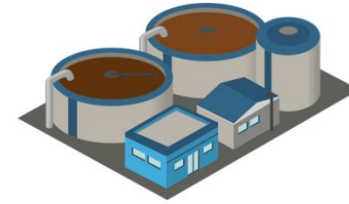
SCRUFILTER®
Microfiltration



Food & beverage: Brewery

A typical application of our MONOBELT® belt filter press is in the food & beverage industry.

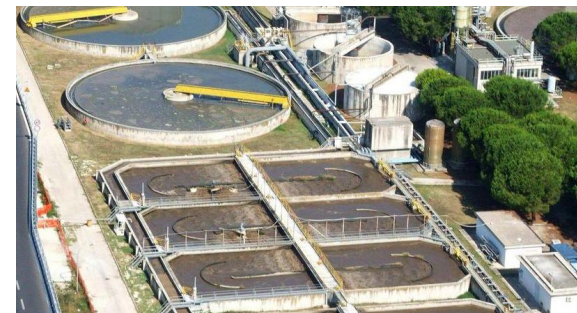
Thanks to our machines, the sludge, typically arriving from digestion and DAF, are thickened and dewatered to optimize the final disposal.



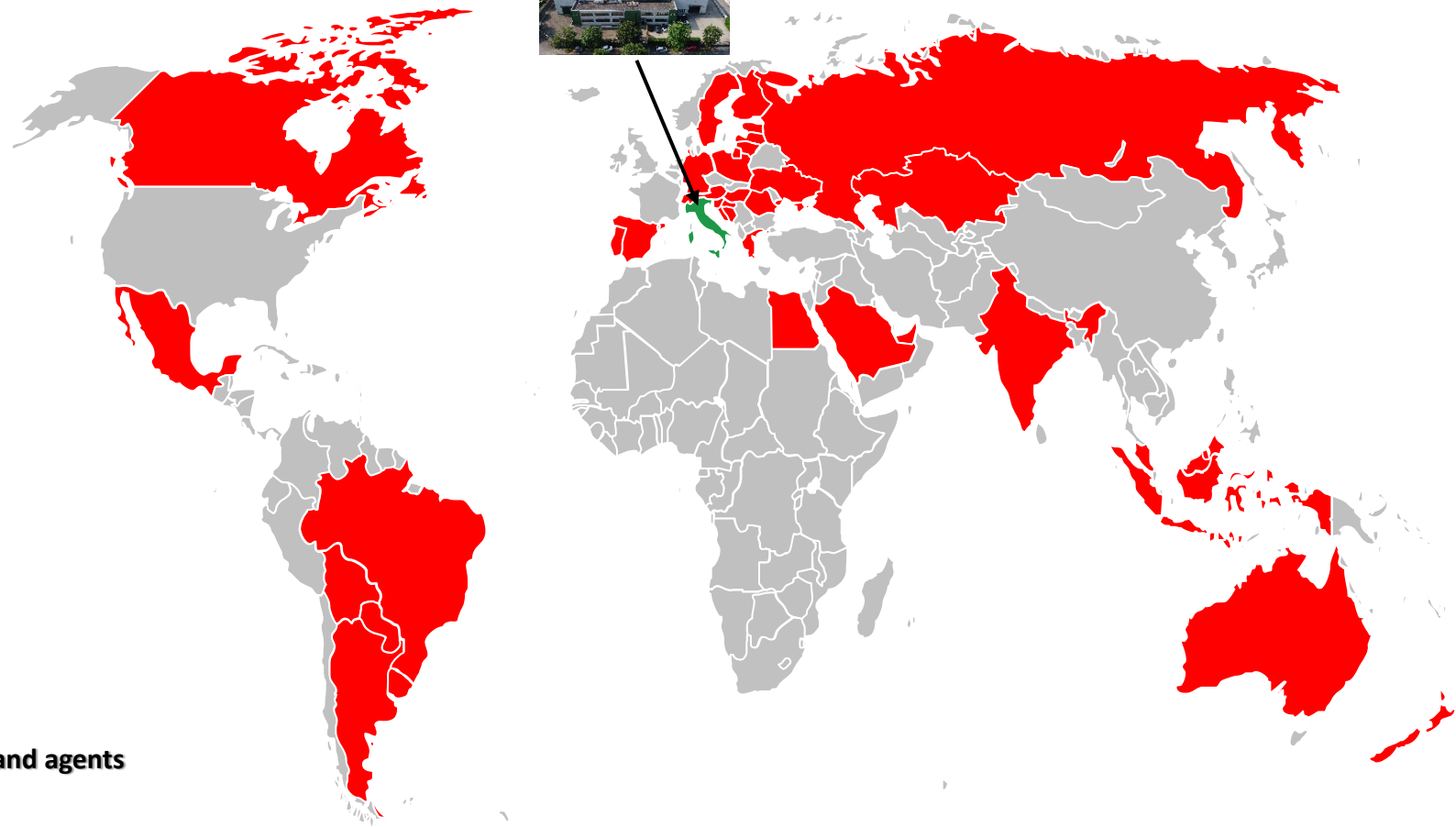
Civil Plant: Microfiltration

Our machines are also widely used in civil WTP and WWTP.

We do not only deal with sludge treatment, but also with water microfiltration. Our SCRUFILTER is used as a tertiary finisher for the abatement of suspended solids.



Teknofanghi headquarters



● Exclusive dealers and agents

THANK YOU



www.teknofanghi.com